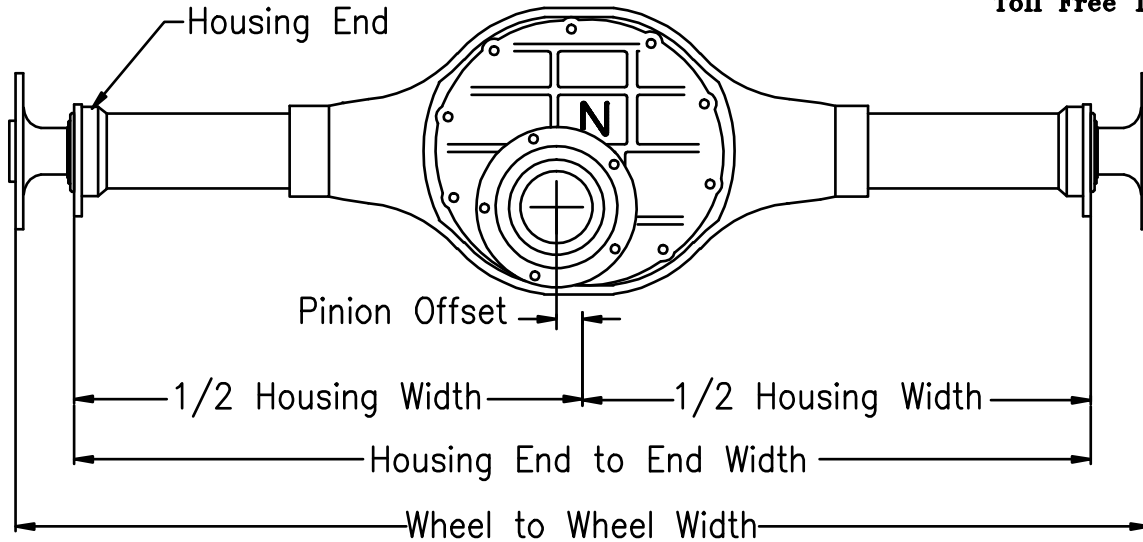


Housing Spec Sheet



Art Morrison Enterprises
 5301 8th St E
 Fife, WA 98424
 (253) 922-7188
 FAX (253) 922-8847
 Toll Free 1-800-929-7188



Make of center section _____

HOUSING WIDTH

(end to end) _____

(wheel to wheel) _____

Special instructions _____

Type of housing end _____

Pinion offset _____

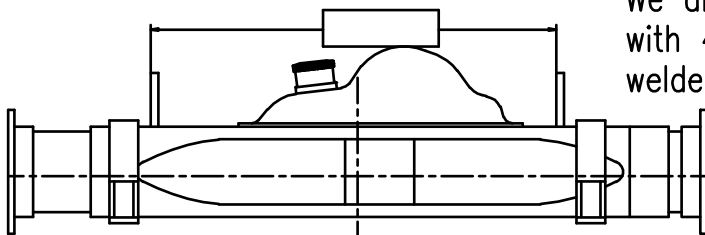
Leaf spring _____

Ladder bar _____

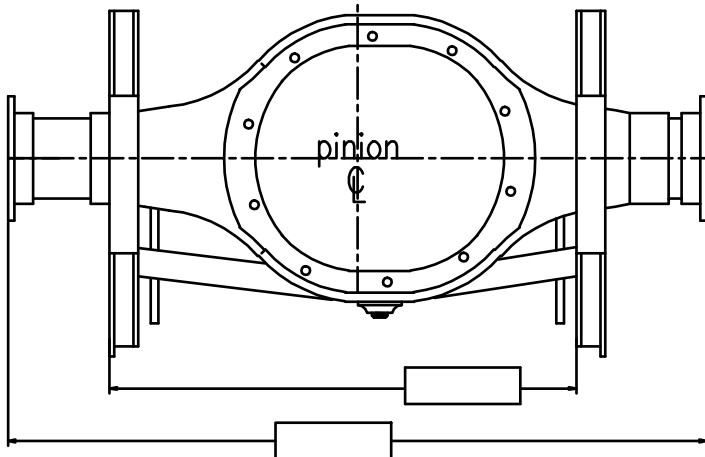
4-Link _____

4-Bar _____

We also offer housings ready for your application with 4-link, ladder bar, 4-bar or leaf spring mounts welded on with fill and drain plugs installed.



The following information is required on these types of housings.



(A) Coilover mount width _____

(B) 4-link, ladder bar, or 4-bar width _____

(C) Center to center on leaf spring mounts _____

(D) Type of rod ends in 4-link or ladder bars _____

A,B & C are centerline dimensions.