

AXLE ORDER FORM

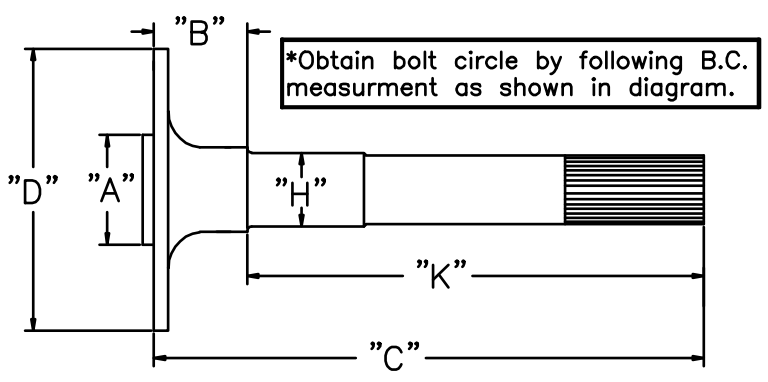
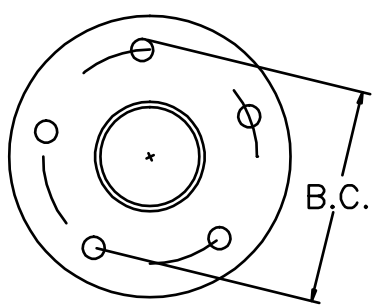


Art Morrison Enterprises
 5301 8th St E
 Fife, WA 98424
 (253) 922-7188
 FAX (253) 922-8847
 Toll Free 1-800-929-7188

Vendor: _____
 P.O.# _____ Date: _____
 Ship By _____ Order Confirmed _____

Name _____ Order # _____
 AME C/O _____ Sales I.D. _____
 Address _____
 Drop Ship City _____ State _____ Zip _____

Race
 Street



HOUSING TYPE: _____ CENTER SECTION _____
 HOUSING END TYPE: _____ NUMBER of SPLINES _____
 PINION-CENTERED or OFFSET W/DIMENSION: _____
 BARE HOUSING END to END WIDTH: _____ AXLE BOLT CIRCLE (B.C.) _____
 STUD SIZE, 1/2-20 STD: _____ SEND KIT? YES _____ NO _____
 TYPE of BRAKES: DISC _____ DRUM _____ VENDOR: _____
 "H" DIMENSION, BEARING SIZE AND TYPE _____ SEND W/ORDER? _____
 W/1" ACCESS HOLE _____

IF USING DRUM OF FACTORY DISC BRAKES:

"A" DIMEN: _____ "D" DIMEN: _____ "B" DIMEN: _____

IF REPLACING EXISTING AXLES:

LEFT (DRIVER) AXLE "C" _____ RIGHT (PASS) AXLE "C" _____
 LEFT (DRIVER) AXLE "K" _____ RIGHT (PASS) AXLE "K" _____